

User Manual

Cash Drawer Holder

HD-MB20

Table of contents

Specification:..... 3
Set contents:..... 3
Dimensions: 4
Assembly:..... 5

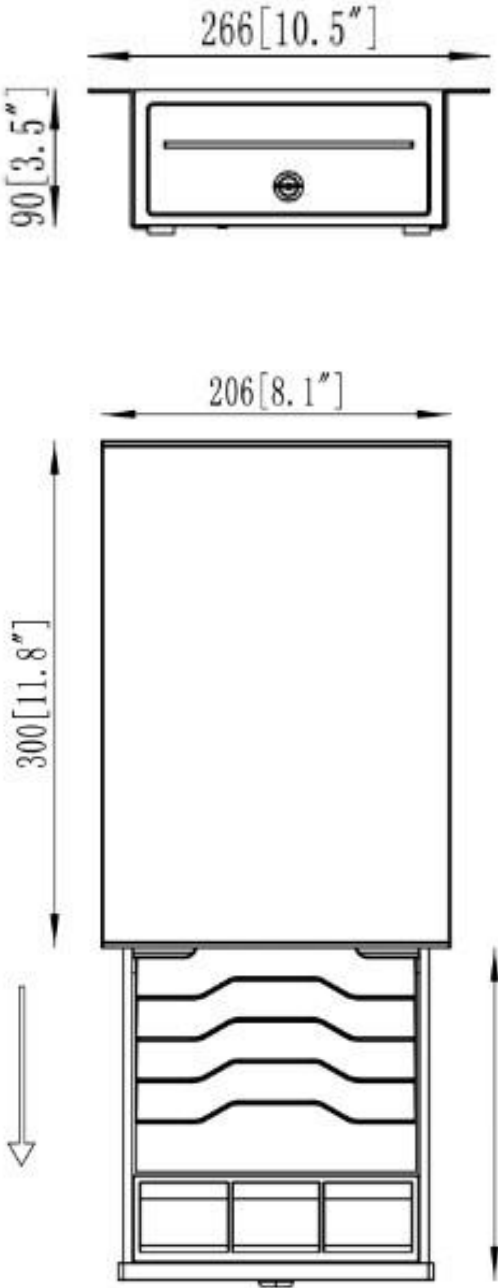
Specification:

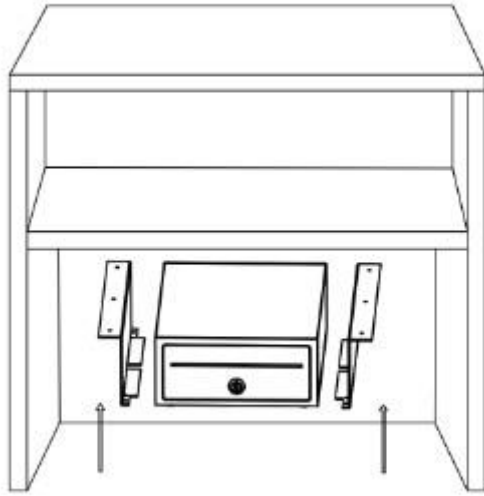
- **Color:** Black
- **Material:** 2 mm thick cold-rolled steel
- **Compatible drawer models:** HD-KER20
- **Handle dimensions:** 4.5 x 9 x 30 cm

Set contents:

- Two black heavy steel mounting brackets
- Mounting screws that secure the bracket to the tabletop

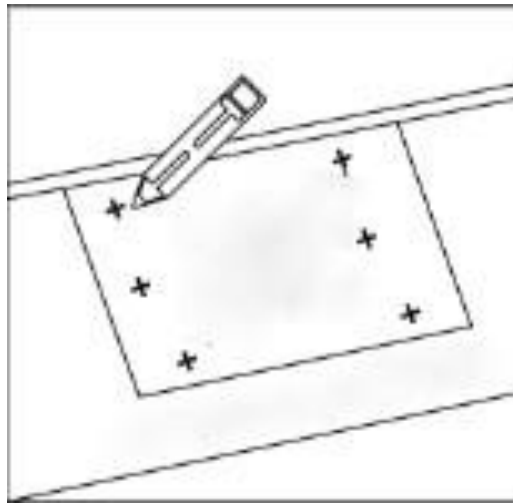
Dimensions:



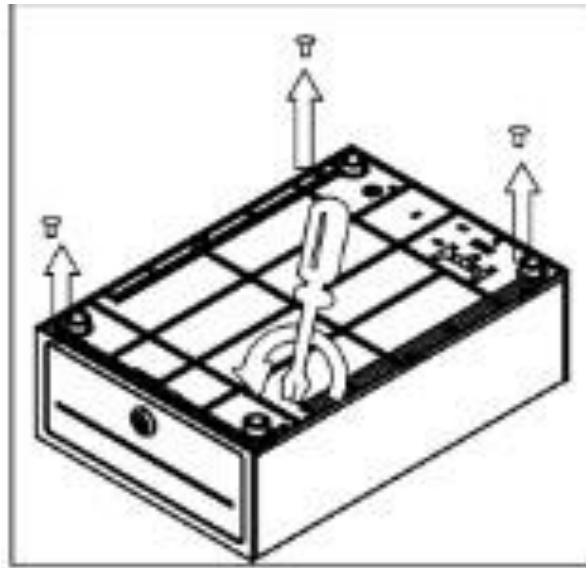


Assembly:

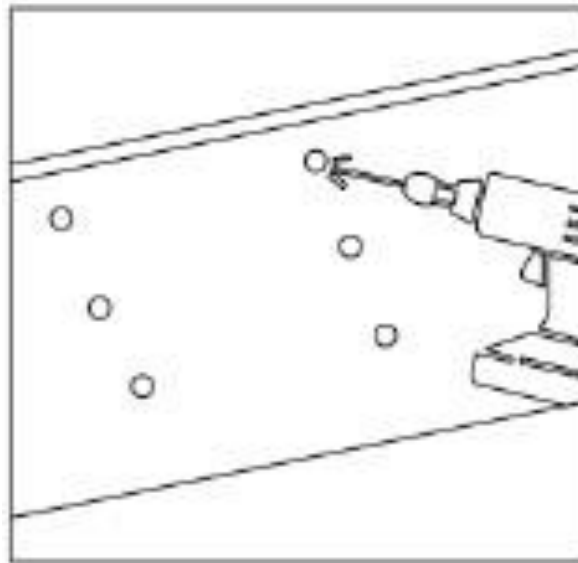
1.



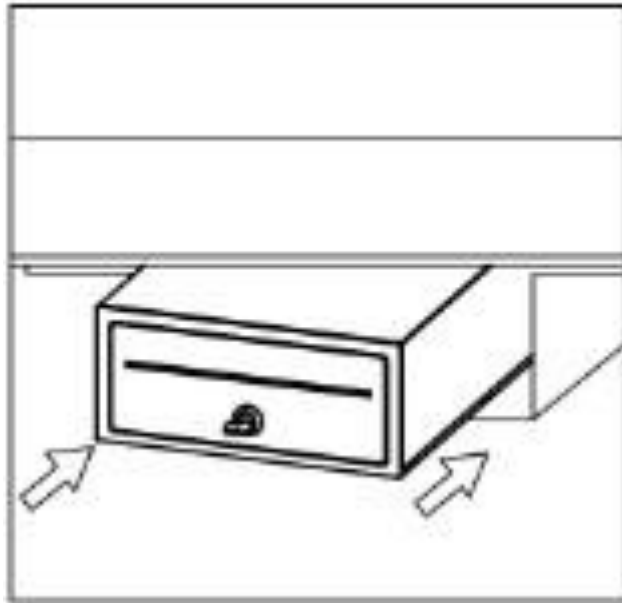
2.



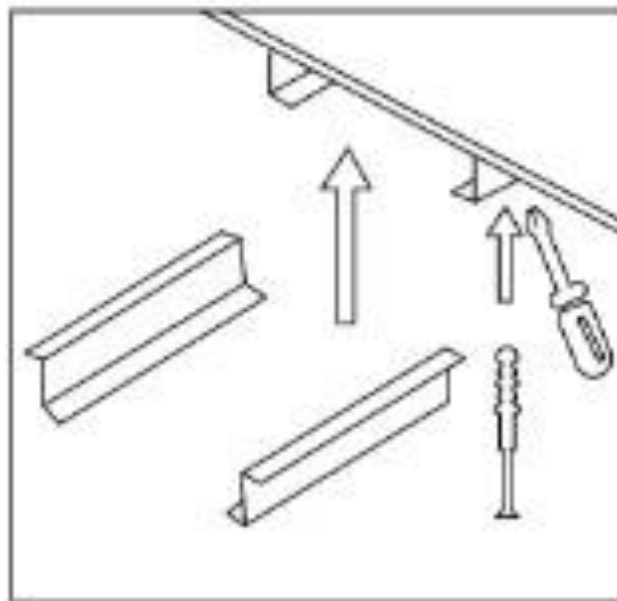
3.



4.



5.



6.

